
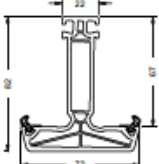
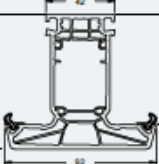
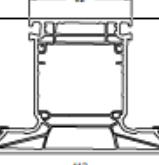
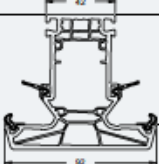
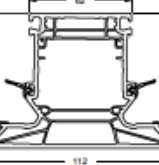
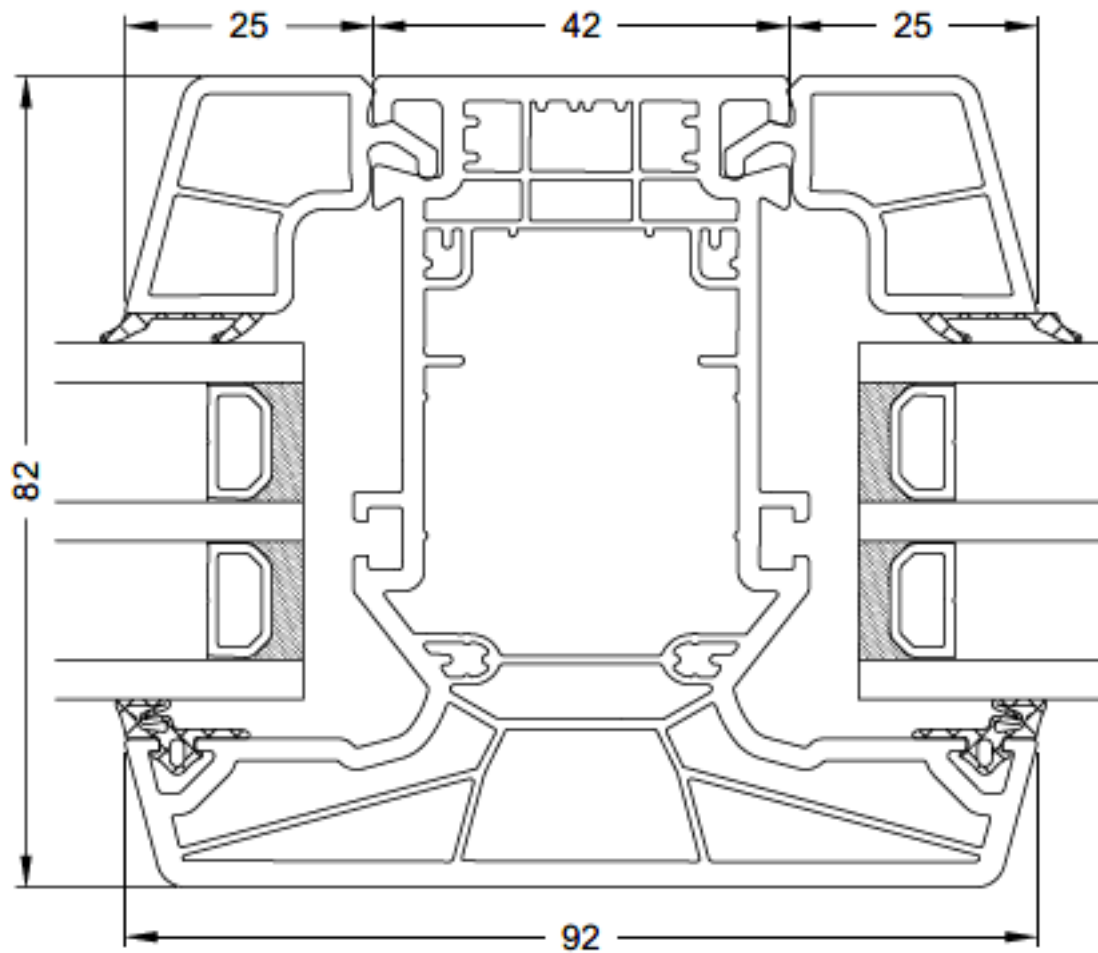


# T-Profile und Sprossen

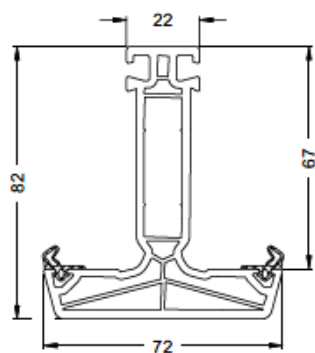
## T-profiles and sash bars

Art.-Nr. Art. No.	Abbildung Illustration	Benennung Description		
19460...		<b>Flügelsprosse 82/72</b> Vent sash bar 82/72	<b>AS</b> <b>MD</b>	50
19461...		<b>T-Profil 82/92 AS</b> T-profile 82/92 AS	<b>AS</b> <b>MD</b>	51
19462...		<b>T-Profil 82/112 AS</b> T-profile 82/112 AS	<b>AS</b>	52
19465...		<b>T-Profil 82/92 MD</b> T-profile 82/92 MD	<b>MD</b>	53
19466...		<b>T-Profil 82/112 MD</b> T-profile 82/112 MD	<b>MD</b>	54

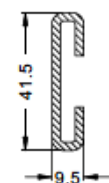
**Festverglasung T-Profil mit Mitteldichtung**  
 Fixed glazing in T-profile with centre gasket



Flügelprosse 82/72 ■ Vent sash bar 82/72  
 19460...



20272800

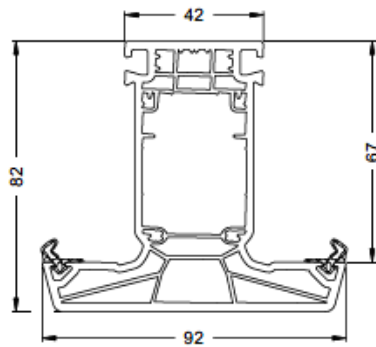


$I_x = 3.38$   
 $I_y = 0.2$

2.5 mm

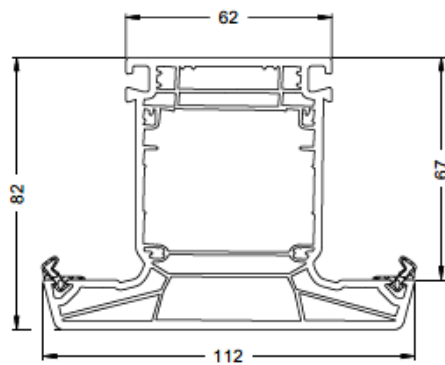
6 m

T-Profil 82/92 AS ■ T-profile 82/92 AS  
19461...



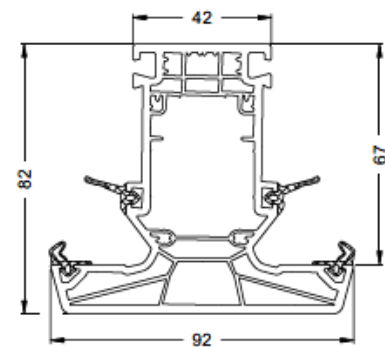
	20272900	20273000	20273100	20271700	20271800
$I_x$	3.73	5.65	6.6	2.01	2.94
$I_y$	2.34	3.13	3.66	1.6	2.33
Wall thickness	1.5 mm	2 mm	2.5 mm	1.5 mm	2.5 mm
Length	6 m	6 m	6 m	6 m	6 m

T-Profil 82/112 AS ■ T-profile 82/112 AS  
19462...

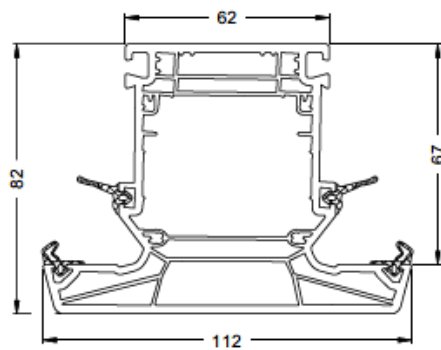


	20273200	20273300	20273400
$I_x$	5.81	9.08	10.71
$I_y$	8.09	11.6	13.84
Wall thickness	1.5 mm	2 mm	2.5 mm
Length	6 m	6 m	6 m

T-Profil 82/92 MD ■ T-profile 82/92 MD  
19465...

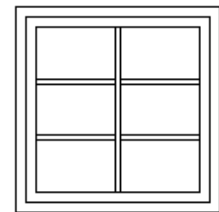
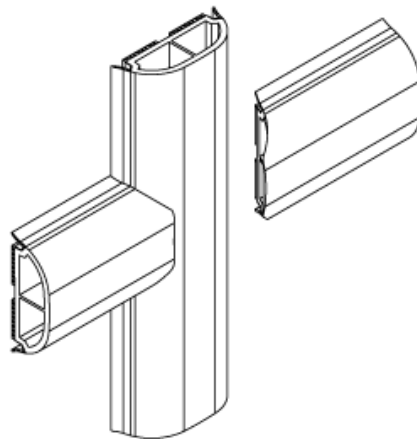


	20272900	20273000	20273100	20271700	20271800
$I_x$	3.73	5.65	6.6	2.01	2.94
$I_y$	2.34	3.13	3.66	1.6	2.33
Wall thickness	1.5 mm	2 mm	2.5 mm	1.5 mm	2.5 mm
Length	6 m	6 m	6 m	6 m	6 m



	20273200	20273300	20273400
	39	39	39
	49	49	49
	$I_x = 5.81$	$I_x = 9.08$	$I_x = 10.71$
	$I_y = 8.09$	$I_y = 11.6$	$I_y = 13.84$
	1.5 mm	2 mm	2.5 mm
	6 m	6 m	6 m

Hinweise Design-Ziersprosse Notes on feature decorative sash bar



Fräsung der Design-Ziersprosse  
 Machining of the feature decorative sash bar



Auslinkfräsen Fräsersätze  
 Milling tool sets for end milling machines

Art.-Nr. Art. No.	Benennung Description			
<b>28635000</b>	Fräsersatz Milling tool set	1 Stk.	Graule AKF 6	Fräswelle Ø 40/ linksdrehend/ Ø-Außen 200 Milling shaft Ø 40 / turning to the left / Ø outside 200
<b>28635100</b>	Fräsersatz Milling tool set	1 Stk.	Rotax SAF 165/ 166/ 167	Fräswelle Ø 40/ rechtsdrehend/ Ø-Außen 140 Milling shaft Ø 40 / turning to the right / Ø outside 140

